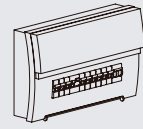


## Installation Procedure

### WARNING

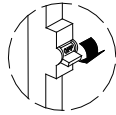
1. Switch off before installation.
2. Switch on only after complete installation and examination of the circuit.
3. Professional electrician for installation and maintenance only.



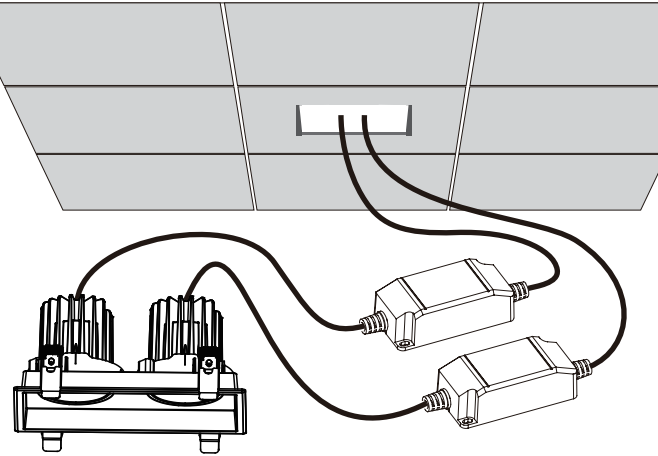
## Downlight

Cutout (refer to cutout table)

Cutout: L190xW95mm/L285xW95mm

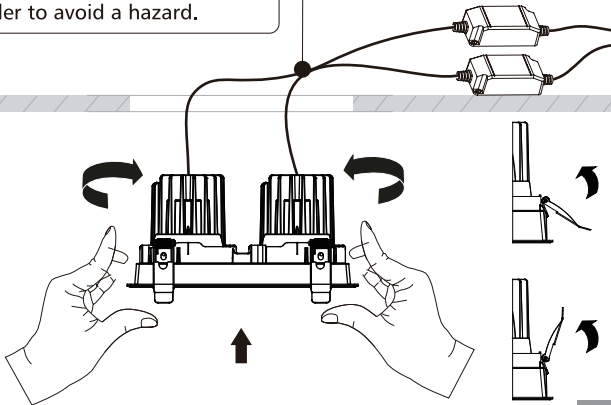


1 2

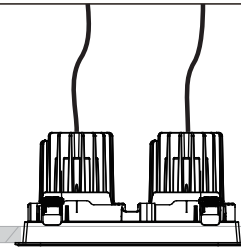


Connect power supply

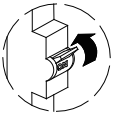
If the external flexible cable or cord of this luminaire is damaged, it shall be exclusively replaced by the manufacturer or his service agent or a similar qualified person in order to avoid a hazard.



3 4



COMPLETE



The light source contained in this luminaire shall only be replaced by the manufacturer or his service agent or a similar qualified person.



### Model

### Cutout

### Appearance

IBSP104SCT095H78-2F	L190xW95mm
IBSP104SCT095H78-2F-EB	L190xW95mm
IBSP104SCT095H98-2F	L190xW95mm
IBSP104SCT095H98-2F-EB	L190xW95mm
IBSP104SCT095H124-2F	L190xW95mm
IBSP104SCT095H124-2F-EB	L190xW95mm
IBSP104SCT095H78-3F	L285xW95mm
IBSP104SCT095H78-3F-EB	L285xW95mm
IBSP104SCT095H98-3F	L285xW95mm
IBSP104SCT095H98-3F-EB	L285xW95mm
IBSP104SCT095H124-3F	L285xW95mm
IBSP104SCT095H124-3F-EB	L285xW95mm

