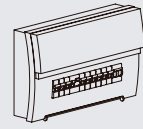


Installation Procedure

WARNING

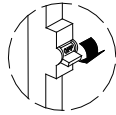
1. Switch off before installation.
2. Switch on only after complete installation and examination of the circuit.
3. Professional electrician for installation and maintenance only.



Downlight

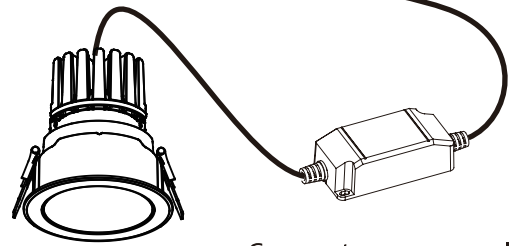
Cutout (refer to cutout table)

Cutout: $\Phi 85\text{mm}$

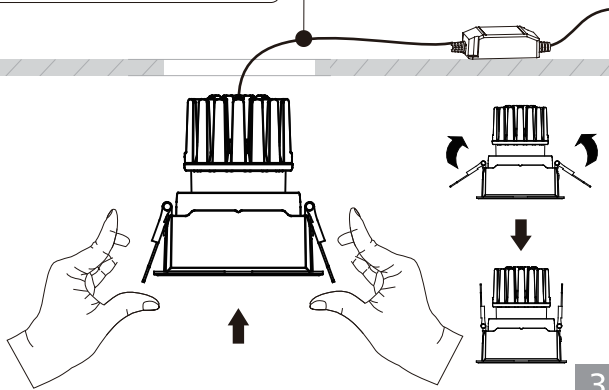


1 2

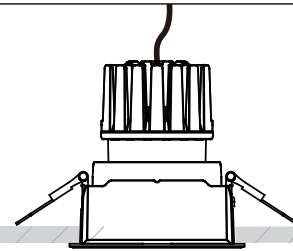
Connect power supply



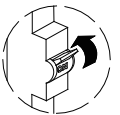
If the external flexible cable or cord of this luminaire is damaged, it shall be exclusively replaced by the manufacturer or his service agent or a similar qualified person in order to avoid a hazard.



3 4



COMPLETE



The light source contained in this luminaire shall only be replaced by the manufacturer or his service agent or a similar qualified person.



Model

Cutout

IBSP155CT085H95	$\Phi 85\text{mm}$
IBSP155CT085H99	$\Phi 85\text{mm}$
IBSP156CT085H69	$\Phi 85\text{mm}$
IBSP156CT085H89	$\Phi 85\text{mm}$
IBSP156CT085H116	$\Phi 85\text{mm}$
IBSP158CT085H81-P1N	$\Phi 85\text{mm}$
IBSP158CT085H85-P1N	$\Phi 85\text{mm}$
IBSP158CT085H81-0V	$\Phi 85\text{mm}$
IBSP158CT085H85-0V	$\Phi 85\text{mm}$
IBSP158CT085H81-0V2	$\Phi 85\text{mm}$
IBSP158CT085H85-0V2	$\Phi 85\text{mm}$

Detail

