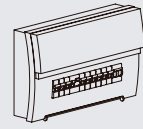


## Installation Procedure

### WARNING

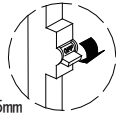
1. Switch off before installation.
2. Switch on only after complete installation and examination of the circuit.
3. Professional electrician for installation and maintenance only.



## Downlight

Cutout (refer to cutout table)

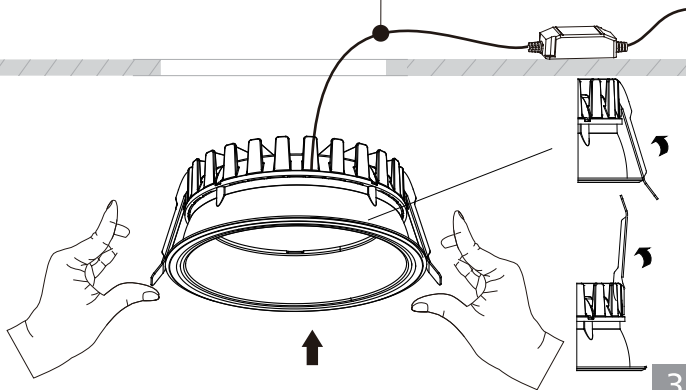
IBDL226CT090/IBDL226CT090-CCT	Cutout hold : $\Phi 90-95\text{mm}$
IBDL226CT115/IBDL226CT115-CCT	Cutout hold : $\Phi 115-120\text{mm}$
IBDL226CT140/IBDL226CT140-CCT	Cutout hold : $\Phi 140-145\text{mm}$
IBDL226CT175/IBDL226CT175-CCT	Cutout hold : $\Phi 170-178\text{mm}$
IBDL226CT200/IBDL226CT200-CCT	Cutout hold : $\Phi 200-208\text{mm}$



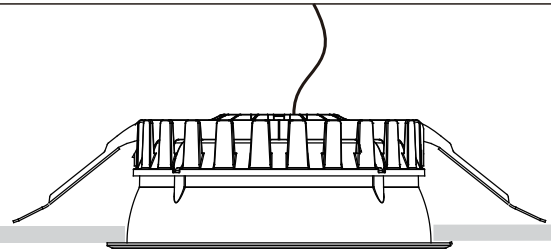
1 2

Connect power supply

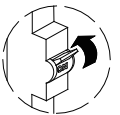
If the external flexible cable or cord of this luminaire is damaged, it shall be exclusively replaced by the manufacturer or his service agent or a similar qualified person in order to avoid a hazard.



3 4



COMPLETE



The light source contained in this luminaire shall only be replaced by the manufacturer or his service agent or a similar qualified person.

