

Job/Project \_\_\_\_\_  
 Location \_\_\_\_\_  
 Fixture Ref. \_\_\_\_\_  
 Quantity \_\_\_\_\_  
 Remarks \_\_\_\_\_

## Product Description

Use high-performance COB LED, Ra>80, Aluminum heatsink and unique die casting heatsink design ensure better heat dissipation.

## Luminaire

|               |  |
|---------------|--|
| Structure     | Adjustable Down Light LED                      |
| Model No.     | IBSP104-2F-EB                                  |
| Wattage       | 2×10W   2×15W   2×25W                          |
| Luminous Flux | 1400lm   2100lm   3500lm                       |
| Beam          | 15°   24°   38°   45°                          |
| IP Ratings    | IP65   |
| Material      | Die-casting alu. trim and heatsink, PMMA. lens |
| Finish        | Matt white or black trim                       |

## Installation

Suitable for 5~18 mm thick ceiling board

## LEDs

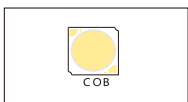
|            |  |
|------------|--|
| Brand      | Bridgelux   Cree                                       |
| Type       | COB  |
| Color Temp | 2700K   3000K   3500K   4000K<br>5000K   5700K   6500K |
| CRI        | 80   90  |

## Control Gear

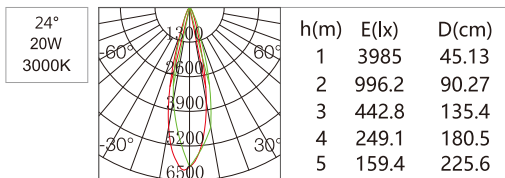
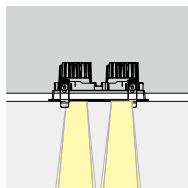
Remote constant current LED driver

|               |                            |
|---------------|----------------------------|
| Brand         | Lifud   Eaglerise   BOKE   |
| Input Voltage | 220~240Vac   100-240Vac    |
| Dimming       | Non Dim   Dim              |
| Remarks       | Flicker-free, PF 0.5   0.9 |

## Photometrics



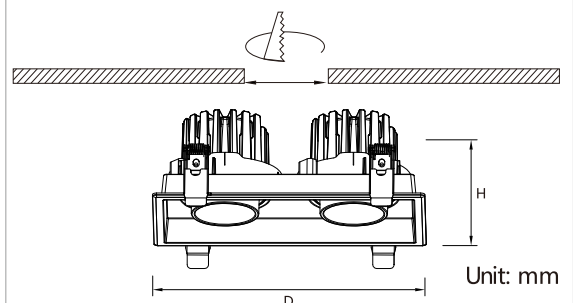
Ra>80



## Picture



## Line art



| Model                   | Watts | L×W×H(mm)      | Cutout(mm) |
|-------------------------|-------|----------------|------------|
| IBSP104SCT095H78-2F-EB  | 2×10W | L201×W106×H78  | L190×W95   |
| IBSP104SCT095H98-2F-EB  | 2×15W | L201×W106×H98  | L190×W95   |
| IBSP104SCT095H124-2F-EB | 2×25W | L201×W106×H124 | L190×W95   |